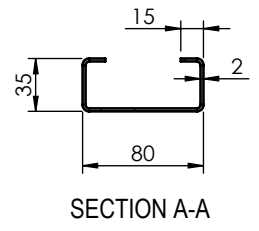
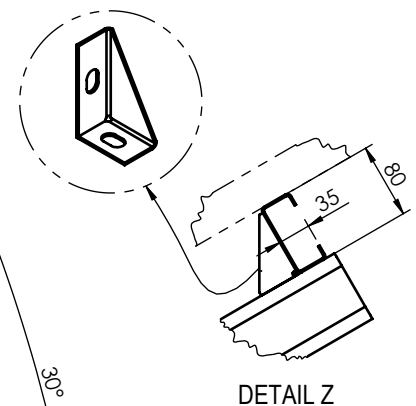
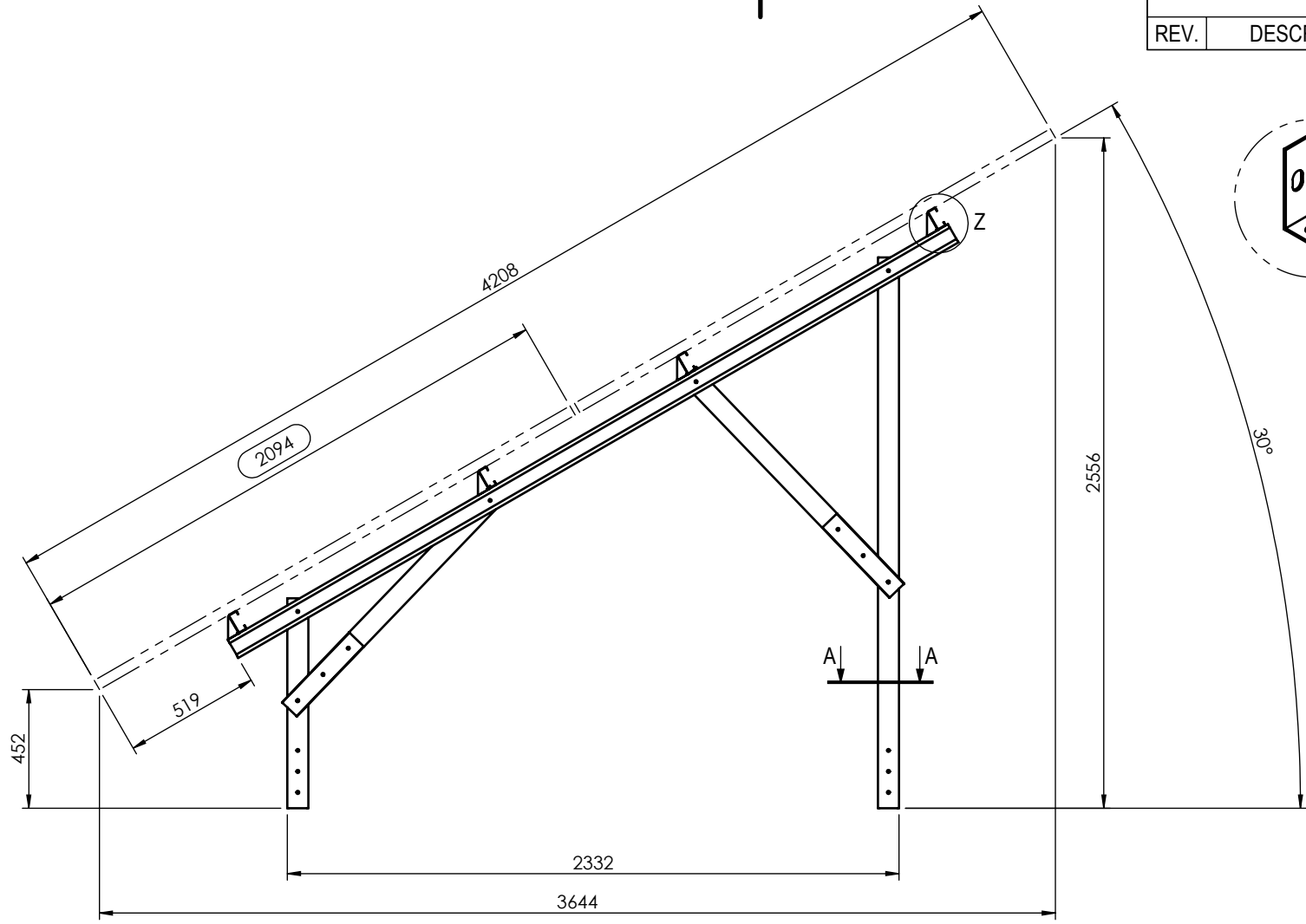


1 2 3 4 5 6

REVISION			
REV.	DESCRIPTION	DATE	DRAWN



		GENERAL TOLERANCES: ISO 2768-mH	DESIGNED: M.SATTARI	THICKNESS:				
		GEOMETRICAL TOLERANCING: ISO 1101	DRAWN: EMAMAT	MATERIAL:				
		TOLERANCING: ISO 8015	CHECKED:	WEIGHT (Kg):				
		UNITS IN mm, UNLESS OTHERWISE STATED	COG.ENG.:	TITLE:	V2-M-TRAUSS SOLAR STRUCTURE			
		TOLERANCES APPLY AFTER PLATING	HEAT TREAT:	DRAWING NO.:				
		SURFACE TEXTURE: ISO 1302	FINISH:	REV.	DATE OF ISSUE	SCALE		SHEET 1 / 2
DASH NO.	NEXT HIGHER ASSY (NHA)	USED ON APPLICATION	EDGES: ISO 13715	APPROVED:	1400/01/30	1:50		